

INSTALLATION INSTRUCTION OF HEATED TOWEL RAIL

ABOUT THE PRODUCT

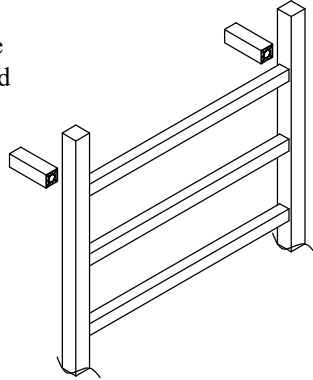
This heated towel rail is designed for drying towel and clothes. It is suitable to use in household bathrooms and kitchens. It is designed to use under voltage of 220V~240V and is manufactured according to international standard including SAA and complied with AS/NZS electrical safety standard. IP rating of this product is IP55.

IMPORTANT

- All electrical works/connections must be done by a qualified electrician.
- Only use for drying textiles which have been dampened by water.
- This heated towel rail is not suitable for persons with defect in physical, senses, intelligence or persons lack of experience (including children), except when they are supervised by their guardians or with right guidance before using the heated towel rail.

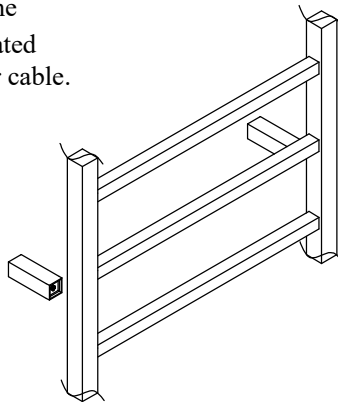
Step 1

- Fix 4 legs (top & bottom) to the heated towel rail by the supplied allen bolts.



Step 2

- Fix the middle leg (the leg with one hole on the fixing plate) to the heated towel rail where there is no power cable.

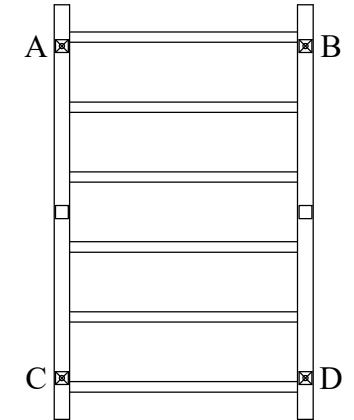


Step 3

- Fix the other middle leg (the leg with 2 holes on the fixing plate) to the heated towel rail. Those 2 holes are one for fixing and the other hole for cable to go through.

Step 4

- Measure the distance (centre point to centre point) between 4 legs and get distance AB, AC, CD and BD.
- Mark these measurements (these are positions where the legs are going to fix) on the wall where you want to fix the heated towel rail.
- Make pilot holes and fix mounting pillar to the wall.



Step 5

- Push the heated towel rail leg tubes over mounting pillars.
- Use supplied grub screws to hold those legs to mounting pillars.

Step 6

- Finish installation, wipe and clean the towel rail.
- Get a qualified electrician to connect the cable to the power supply.

This instruction can use for 4 bars, 5 bars, 6 bars, 7 bars, 8 bars, round or square towel rail

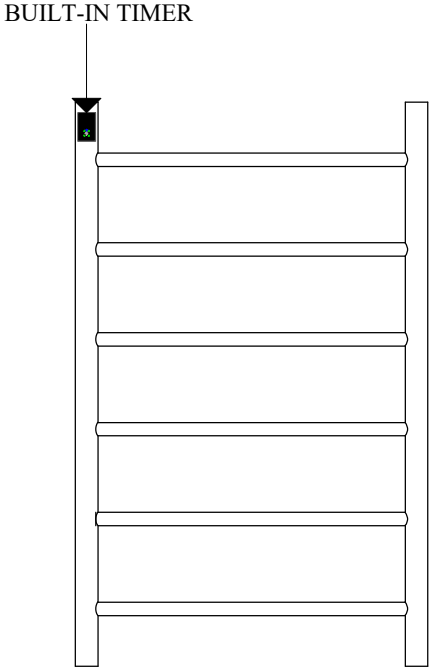
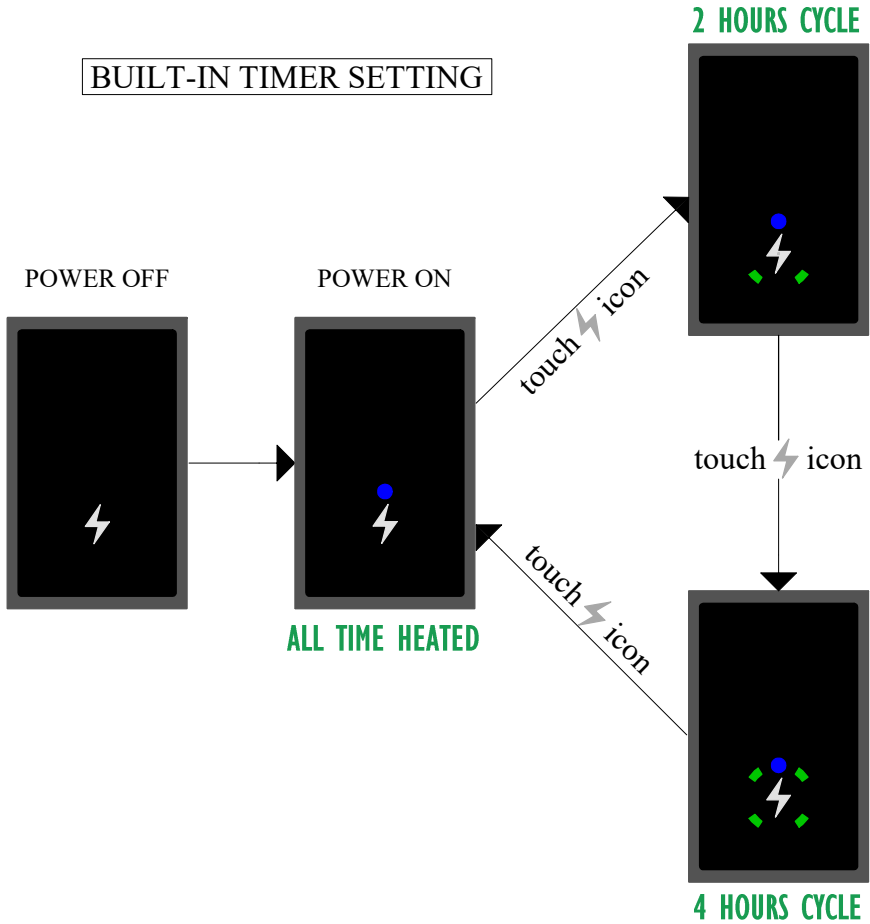
INSTALLATION INSTRUCTION OF HEATED TOWEL RAIL

ABOUT THE PRODUCT

This heated towel rail is designed for drying towel and clothes. It is suitable to use in household bathrooms and kitchens. It is designed to use under voltage of 220V~240V and is manufactured according to international standard including SAA and complied with AS/NZS electrical safety standard. IP rating of this product is IP55.

IMPORTANT

- All electrical works/connections must be done by a qualified electrician.
- Only use for drying textiles which have been dampened by water.
- This heated towel rail is not suitable for persons with defect in physical, senses, intelligence or persons lack of experience (including children), except when they are supervised by their guardians or with right guidance before using the heated towel rail.



- ALL TIME HEATED 2 HOURS CYCLE 4 HOURS CYCLE

This instruction can use for 4 bars, 5 bars, 6 bars, 7 bars, 8 bars, round or square towel rail