

# Nouveau®

## **Fan Pedestal 40cm Chrome**



This manual applies to the following products  
SKU: 361425 / Model: FD-40M

# Nouveau.

## **Table of Contents**

Important Safety Instructions

Description of Parts

Assembly

Operation instructions

- Oscillation and Angle adjusting

- Height adjustment

- ON/OFF and Speed selection

Cleaning and Maintenance

Please read this manual carefully before use, and keep for further guidance

# Nouveau.

## **Important Safety Instructions**

This appliance can be used by children aged from 8 years and above if they have been given supervision or instruction concerning use of the appliance in a safe way and if they understand the hazards involved. Cleaning and user maintenance shall not be made by children unless they are aged from 8 years and above and supervised.

Keep the appliance and its cord out of reach of children aged less than 8 years.

Appliances can be used by persons with reduced physical, sensory or mental capabilities or lack of experience and knowledge if they have been given supervision or instruction concerning use of the appliance in a safe way and if they understand the hazards involved.

Children shall not play with the appliance.

If the supply cord is damaged, it must be replaced by the manufacturer, its service agent or similarly qualified persons in order to avoid a hazard.

**TO REDUCE THE RISK OF FIRE OR ELECTRICAL SHOCK, DO NOT USE THIS FAN WITH ANY SOLID-STATE SPEED CONTROL DEVICE.**

**UNPLUG OR DISCONNECT THIS FAN FROM THE POWER SUPPLY BEFORE SERVICING.**

When using electrical appliances, basic precautions should always be followed to reduce the risk of fire, electric shock, and injury to persons, including the following:

1. The appliance is for household and indoor use only.
2. Before plugging in, check that the voltage on the fan rating label is the same as the mains supply.
3. To protect against electric shock, do not immerse any part of the fan in water or other liquid.
4. This fan is intended for use by competent adults only and children should always be supervised.

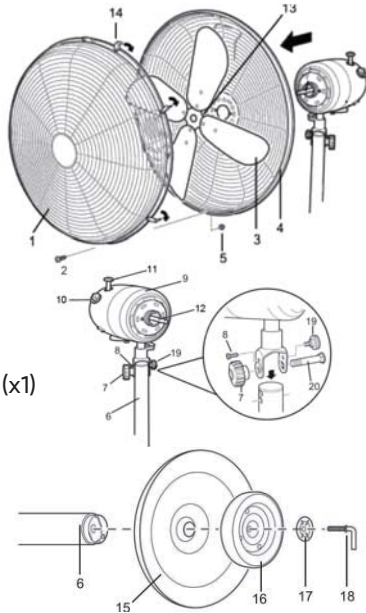
# Nouveau.

5. It is recommended to unplug the fan from the mains socket when not in use.
6. Always remove from the mains socket before cleaning.
7. The supply cable cannot be replaced. If the cable is damaged the appliance should be scrapped.
8. Do not let the cable hang over the end of a table or work surface or touch hot surfaces.
9. Do not use the appliance for other than its intended use.
10. If the supply cord is damaged, it must be replaced by the manufacturer, its service agent or similarly qualified persons in order to avoid a hazard.
11. Ensure that the fan is switched off from the supply mains before removing the guard.
12. Don't use this fan in the immediate surroundings of a bath, a shower or a swimming pool. Never locate the fan where it may fall into the bathtub or other water container.

# Nouveau.

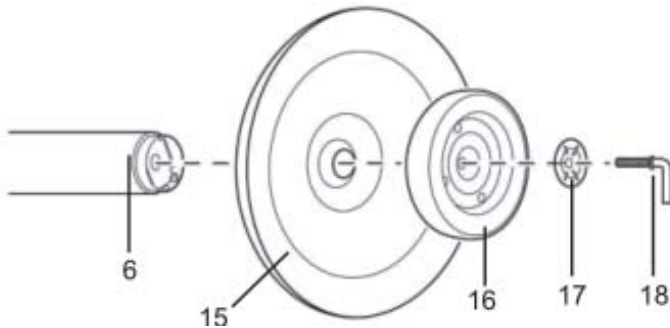
## Description of Parts

1. Front Guard
2. Locking screw
3. Fan Blade
4. Rear Guard
5. Front Guard Nut (x1)
6. Telescopic Stand
7. Pivot knob
8. Retaining screw
9. Motor housing
10. On/Off/Speed Control
11. Oscillating Control
12. Motor Spindle
13. Fan Blade Retaining Screw (x1)
14. Guard Retaining Clips
15. Stand Base
16. Weight
17. Clamping Washer
18. L - Shaped Screw
19. Adjusting knob
20. Bolt



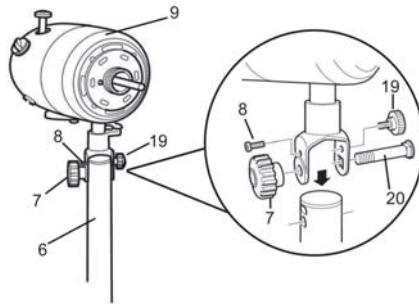
## Assemble Your Metal Stand Fan Steps:

1. Attach the Telescopic Stand (6) to the base (15) by placing the weight (16) on the underside of the base (15) and the clamping washer (17) in the center of the weight. Thread the L-shaped screw (18) through the assembly and into the thread in the telescopic stand (6). Tighten firmly but do not over-tighten.



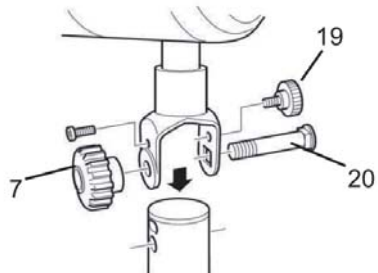
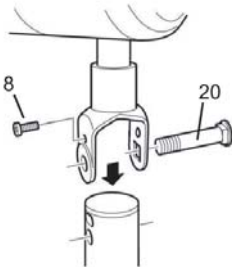
# Nouveau.

2. Next attach the motor housing (9) to the top of the telescopic stand (6). First remove all the screws, etc. (7, 8, 19 & 20) from the motor housing bracket.



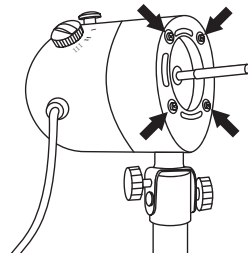
3. Place the motor housing on the top of the stand and thread the large pivot bolt (20) through the bracket and screw in the small retaining screw (8) and tighten (but do not over tighten).

4. Fit the large pivot knob (7) onto the end of the bolt (20) and the small adjusting knob (19). Hold the fan motor upright and tighten the large pivot knob (7) and the small adjusting knob (19).



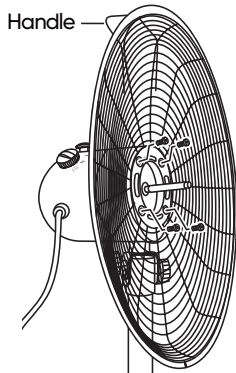
5. Fit the back guard  
Remove the guard fixing screws from the front of the motor body.

NOTE: Ensure that you only remove the four guard fixing screws.



# Nouveau.

Identify the top of the Back guard - the handle is at the top. Fit the back guard onto the motor body with the handle at the top and secure it with the four guard fixing screws.

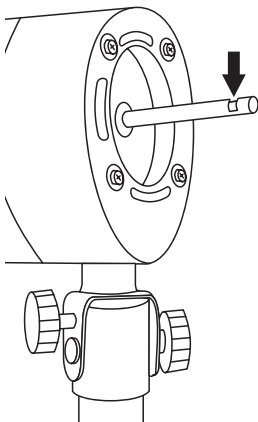


## 6. Fitting the fan blades

- Remove the protection sleeve from the motor spindle.
- Locate the flat on the spindle (marked in the drawing) and turn the spindle so this faces upwards.

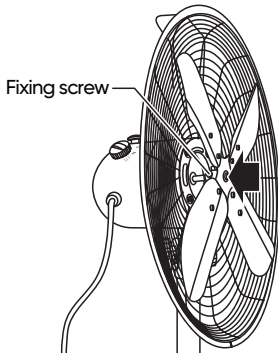
The fan blade fixing clarity. screw will tighten onto this face.

NOTE: The back guard is not shown in this drawing for



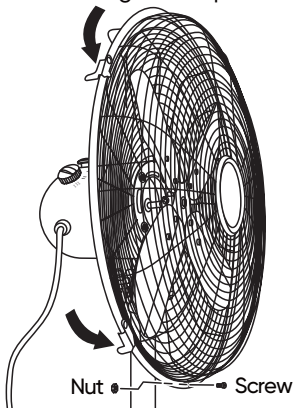
# Nouveau.

- Place the fan blades onto the spindle with the screw on the fan shaft facing upwards. The tip of the screw must rest on the flat on the drive shaft.
- Align the fan with the end of the motor spindle (arrowed), then use a long screwdriver to tighten the fixing screw onto the shaft.



## 7. Fit the front guard

- Remove the small screw and nut from the rim of the front guard.
- Open the five clamps around the rim of the front guard fully.
- Hook the clip at the top of the front guard over the centre top of the back guard.
- Fit the small screw and nut through the hole at the bottom of the guards as shown below. Finger tighten the nut.
- Hold the two guards together and close the five clamps around the rim to secure the two guards in place.





# Nouveau.

- Check that the guards are clamped together by all five clamps.
- Fully tighten the small screw and nut. Your fan is now ready to use.

## **Operating Instructions**

1. Set the fan on a dry, level and sturdy surface.
2. Plug the fan into the mains.
3. Be sure the voltage of fan conformed to local power condition before using it.

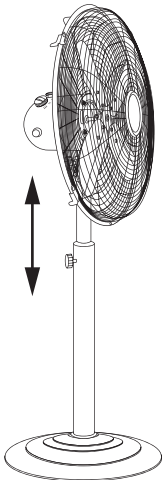
### **• Oscillation, adjusting angle**

1. Push down the oscillation knob to make the fan head oscillate, and pull-up the oscillation knob to stop the fan head from oscillating.
2. Loosen the adjusting angle knob, adjust the fan to the desired angle, to secure tighten the adjusting angle knob.

### **• Height adjustment**

The height of the fan head can be adjusted.

- Disconnect the fan from mains power.
- Slacken the height adjustment locking knob.
- Raise or lower the fan head to the height you want.
- While holding the fan head in position, tighten the locking knob.



# Nouveau.

## • ON/OFF, Speed Selection

Adjust the desired speed by oscillate the power switch:

0--- Stop I--- Low II--- Medium III--- High

## Cleaning And Maintenance

Your fan requires little maintenance and contains no user serviceable parts. Do not attempt to dismantle the Fan Motor body yourself. The fan is permanently lubricated and will not require additional lubrication.

Important: Do not allow water to run into the interior of the fan , as this cause an electric shock. dry the fan thoroughly with a dry cloth, checking that the fan is completely dry before operating the fan.

When using electrical appliance, basic precautions should be followed to reduce the risk of fire and personal injury.



### **You can help protect the environment!**

Please remember to respect the local regulations: hand in the non-working electrical equipments to an appropriate waste disposal centre.



MADE IN CHINA