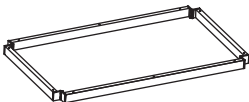

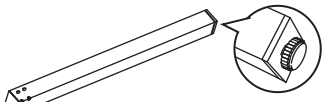

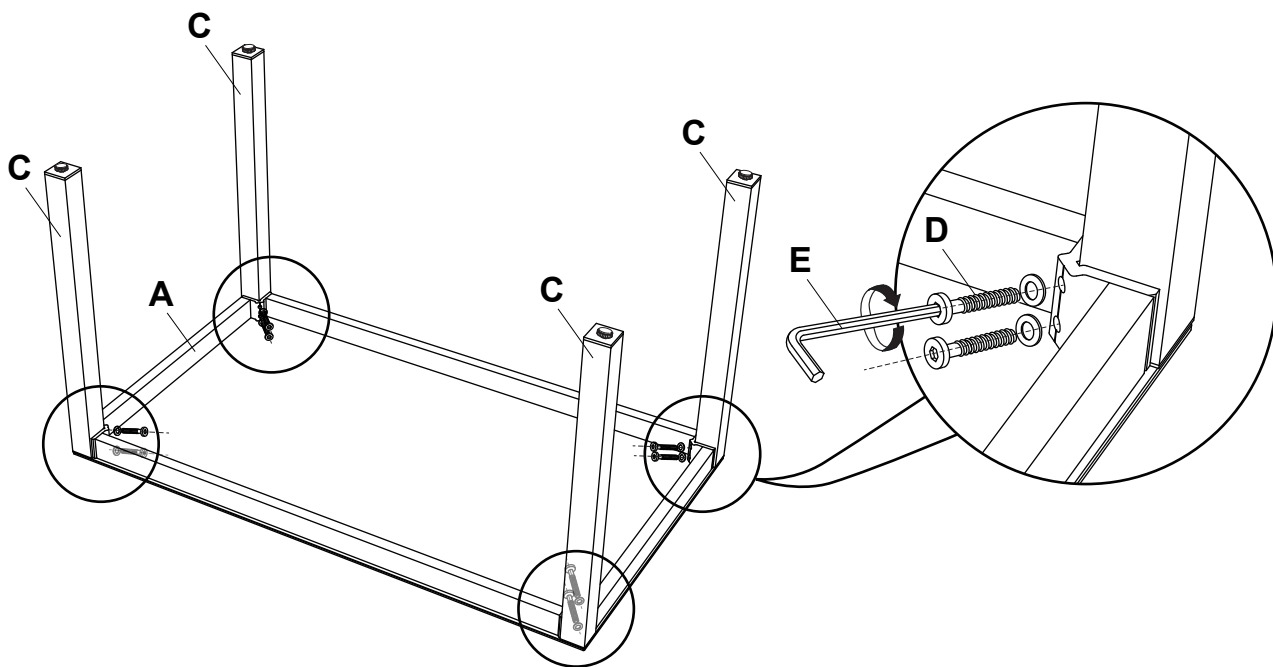

**READ & SAVE BELOW INSTRUCTIONS BEFORE ASSEMBLY**

1. PLEASE SEPARATE AND IDENTIFY ALL PARTS, MAKING SURE THAT YOU HAVE ALL OF THE PARTS LISTED.
2. TO AVOID ANY SCRATCH DURING ASSEMBLY, PLEASE ASSEMBLE ON A SOFT MAT OR SIMILAR.
3. PLEASE ASSEMBLE STEP BY STEP AND FOLLOW THE INSTRUCTIONS.
4. WASHERS MUST BE USED.
5. WHILE EACH SCREW AND NUT IS PROPERLY FASTENED, DO NOT OVER FASTEN IT.
6. DO NOT COMPLETELY FASTEN EACH SCREW AND NUT UNTIL ALL THE SCREWS ARE PROPERLY FIXED.

<b>PARTS LIST</b>		
CODE	PARTS	QTY.
<b>A</b>	 <b>TABLE FRAME</b>	1
<b>B</b>	 <b>GLASS</b>	1
<b>C</b>	 <b>TABLE LEGS</b>	4

<b>HARDWARE LIST</b>		
CODE	PARTS	QTY.
<b>D</b>	 <b>BOLT &amp; WASHER</b>	8
<b>E</b>	 <b>ALLEN KEY</b>	1

1



2

