

Technical Data Sheet

WEISS™

FV662

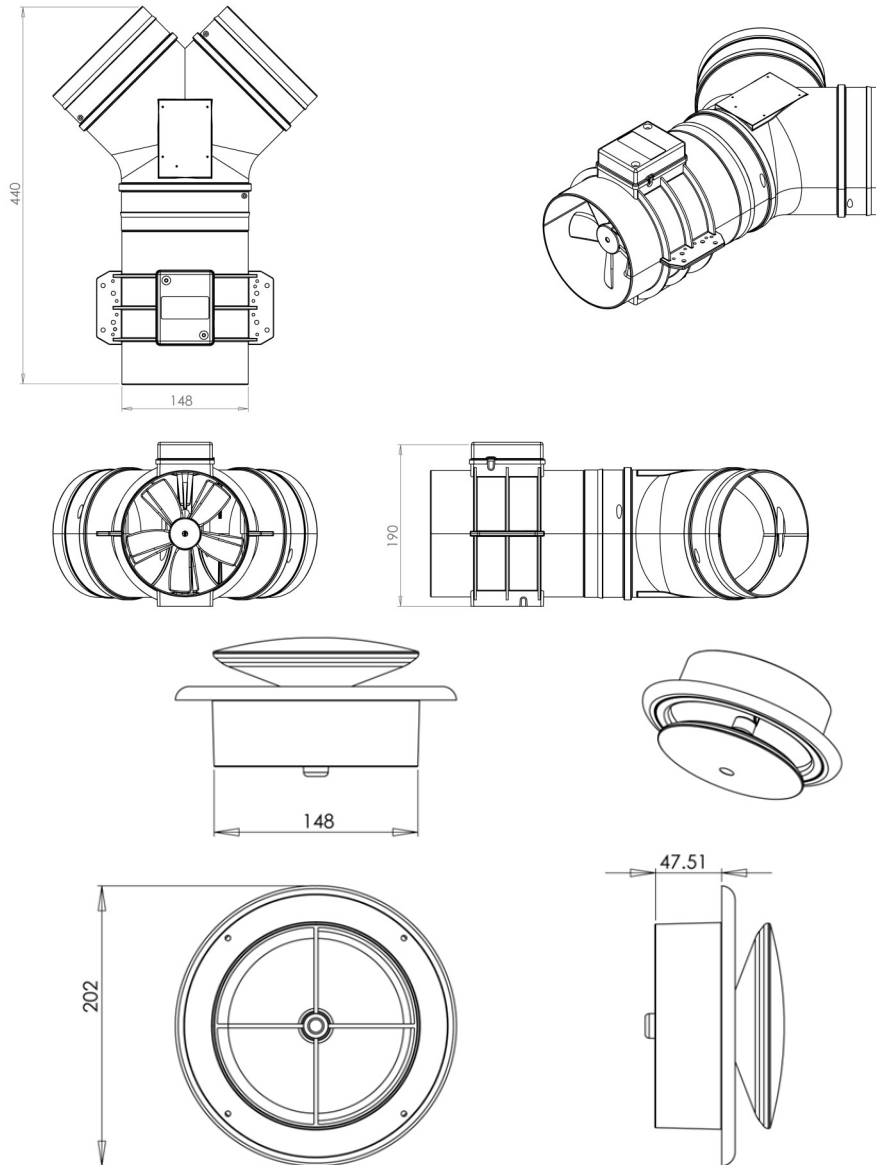
2 Room Heat Transfer

with Thermostat

Dimensions

Cut-out size for inlet fascia 155mm

Cut out size for outlet fascia 155mm



Specifications

Weight	8.5kg
Colour of front fascia	White
Housing material	FR ABS

Approval

AS/NZS 603350.2.80:2004Amdt 1 "Electrical Fan"

Features

- Easy to install
- 12 metres of 150mm insulated ducting supplied
- Unique 'no fuss' all in one unit
- Digital Thermostat included
- Allows warmth to be moved around your home
- Effective temperature control for your home
- All parts are included
- 3 year extended warranty
- 7 year warranty on the motor

Technical Data Sheet

Product Use

The FV662 is used for the transfer of heat

Typical applications:

- Bedrooms
- Lounges
- Living areas

Environmental Conditions

Operation	to IEC 721-3-3
Climatic conditions	class 3K5
Temperature	0...+50°C
Humidity	<95% r.h.

Standards

Test standards	AS/NZS 603350.2.80: 2004 Amdt 2 "Electrical Fan"
Test Report no	5772
EMC Compliance	This is a Level One product with an External rotor motor that has a very low risk of causing EMC Interference

General

Free Air Fan Performance	405m ³ /hr 112.5 L/sec
Installed decibel rating	42DB

Ordering

When ordering please give name and type,	
Reference	FV662
Barcode	0942000490267-3

Technical Data

Power Supply	230 VAC
Power consumption	max. 0.75 Amps
Supply Line fusing	max. 10A
For solid wires	2 x 1.5mm ²
Motor	230-240VAC 50Hz 0.4 Amp
Motor insulation class	B
Total motor wattage	40 Watts
Motor protection	Thermally protected
Total product wattage	40 watts