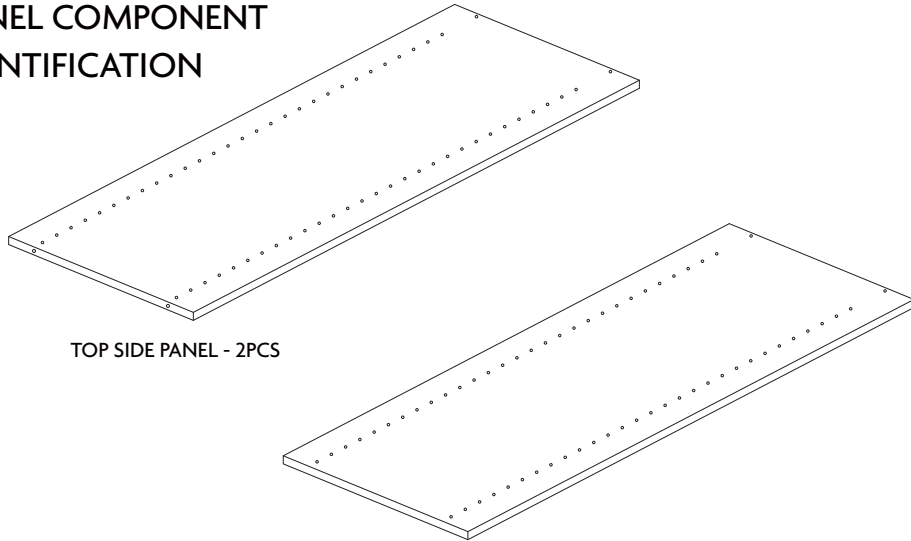




TOWER WARDROBE ORGANISER INSTRUCTIONS

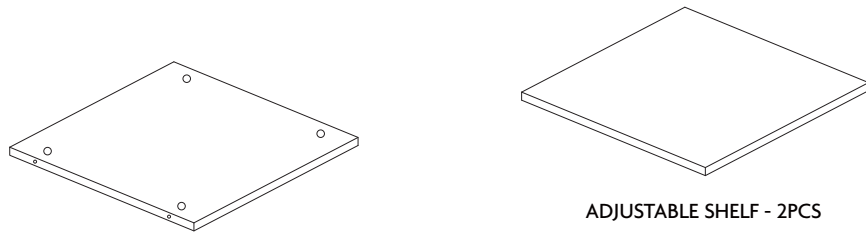
TO SUIT T40W, T40H, T60W, T60H TOWERS

PANEL COMPONENT IDENTIFICATION



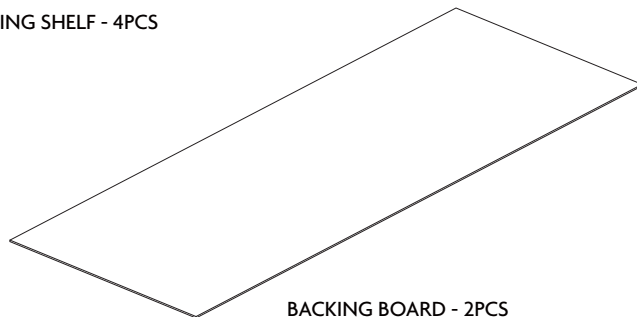
TOP SIDE PANEL - 2PCS

BOTTOM SIDE PANEL - 2PCS



LOCKING SHELF - 4PCS

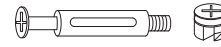
ADJUSTABLE SHELF - 2PCS



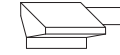
BACKING BOARD - 2PCS

FREE HELPLINE - PHONE 0800 426 100

TOWER FITTINGS IDENTIFICATION



CAMLOCK & PIN
16 SETS



SHELF SUPPORTS
8 PCS



WOODEN DOWELS
4 PCS



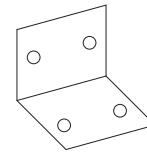
L BRACKET CABINET SCREWS
(M3.5*12MM) - 4 PCS



L BRACKET WALL SCREWS
(M3.5*35MM) - 4 PCS



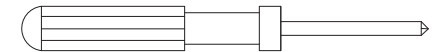
WALL PLUG
4 PCS



L BRACKET
2 PCS



NAILS
40 PCS

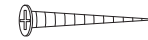


SCREW DRIVER
1 PC

HANGING RAIL FITTINGS IDENTIFICATION



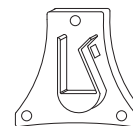
SCREW(M3.5*12MM)
6 PCS



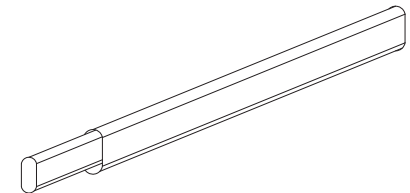
SCREW(M3.5*35MM)
6 PCS



WALL PLUG
6 PCS

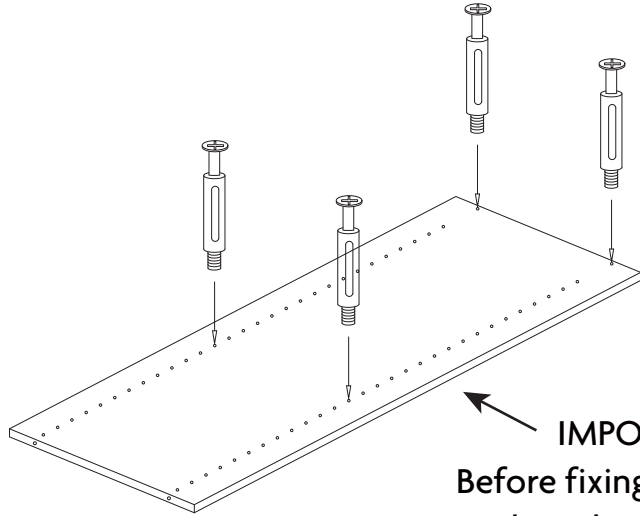


HANGING RAIL BRACKET
4 PCS

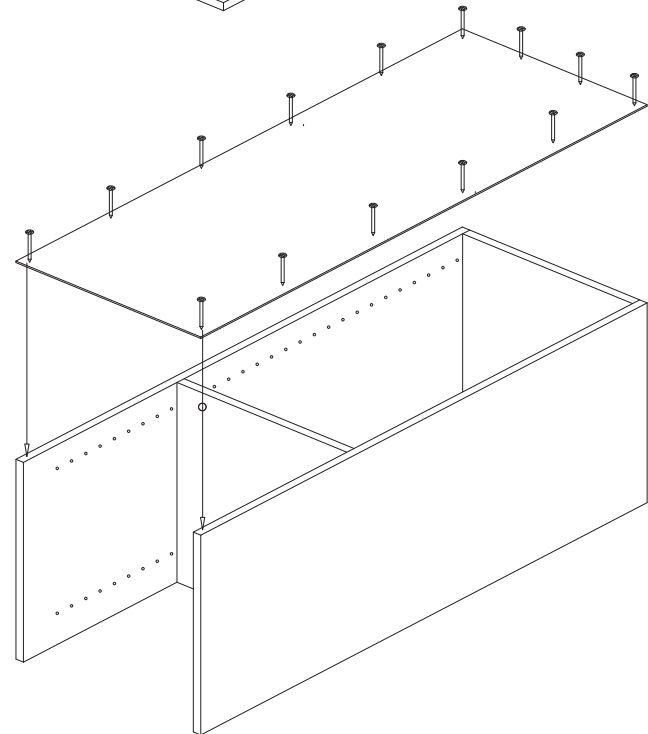
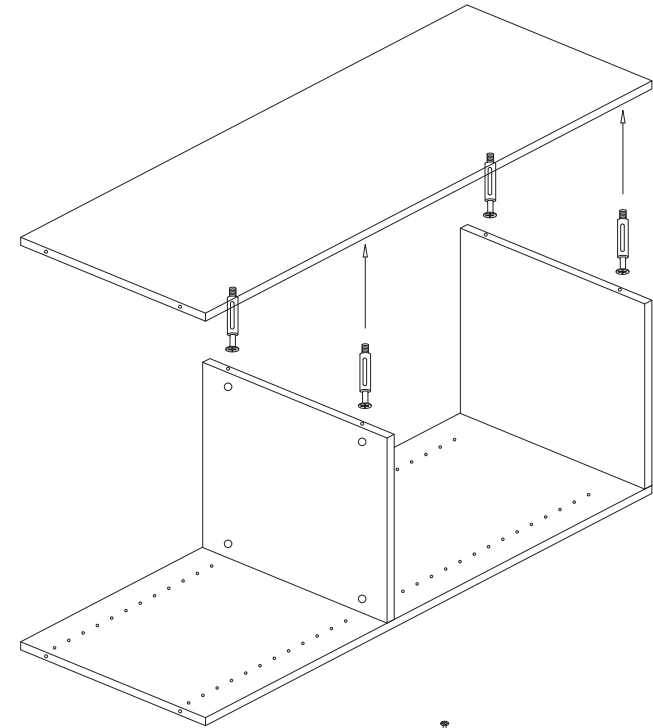
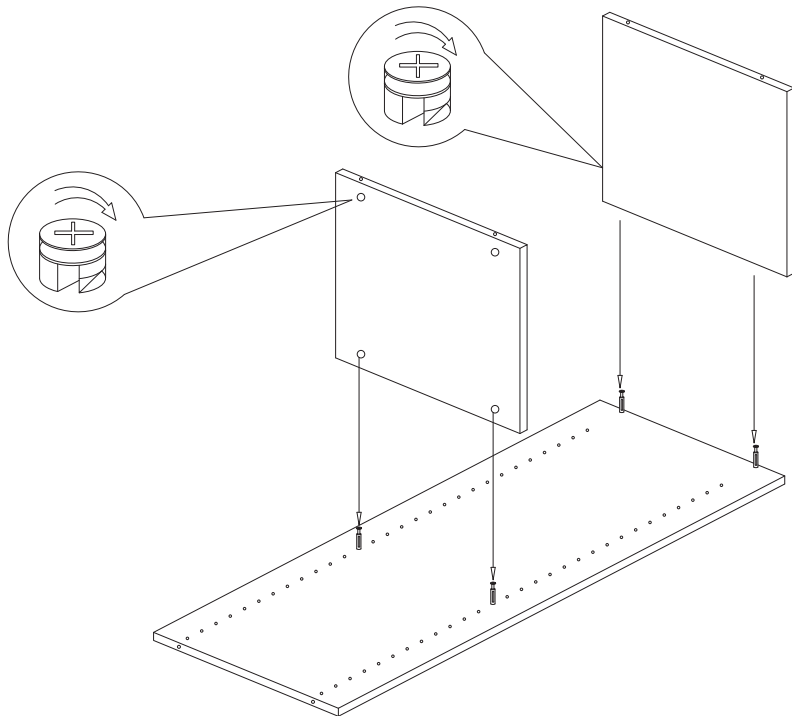


HANGING RAIL
2 PCS

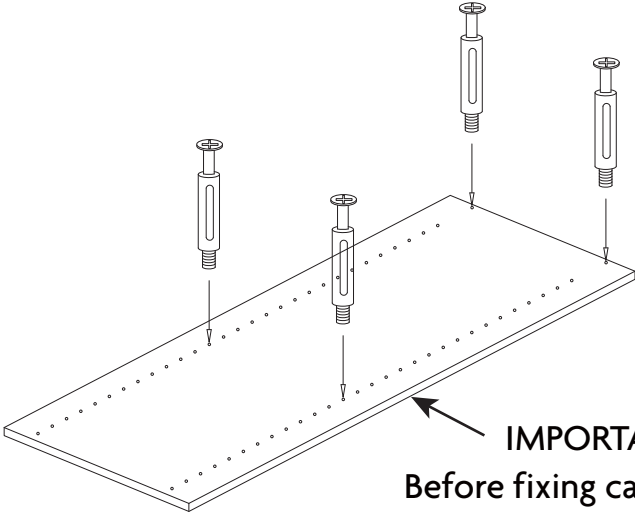
TOP SECTION OF TOWER



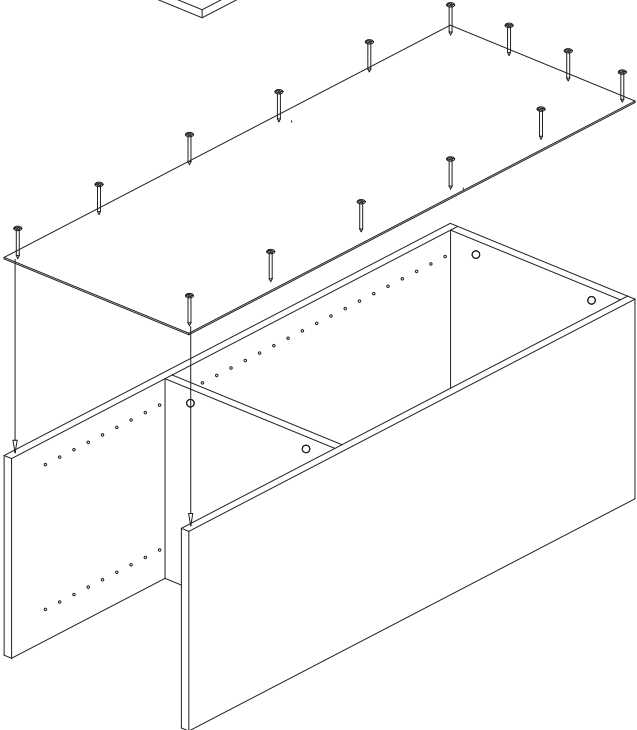
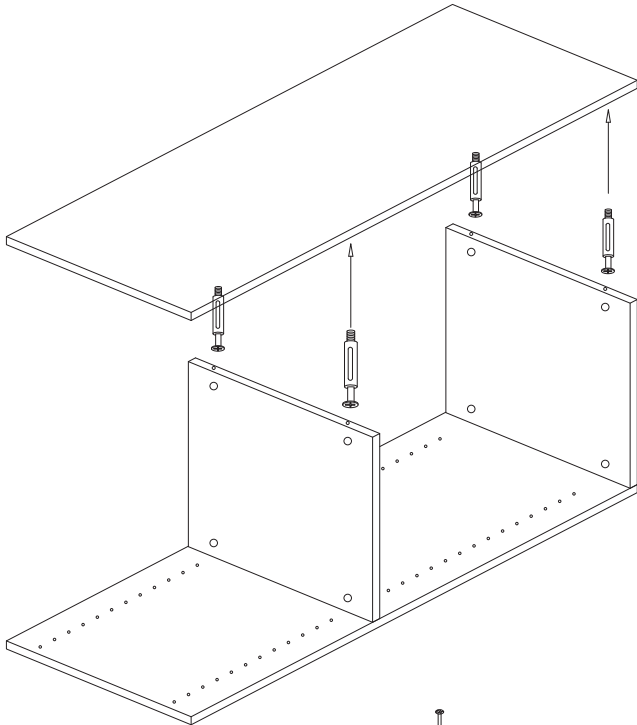
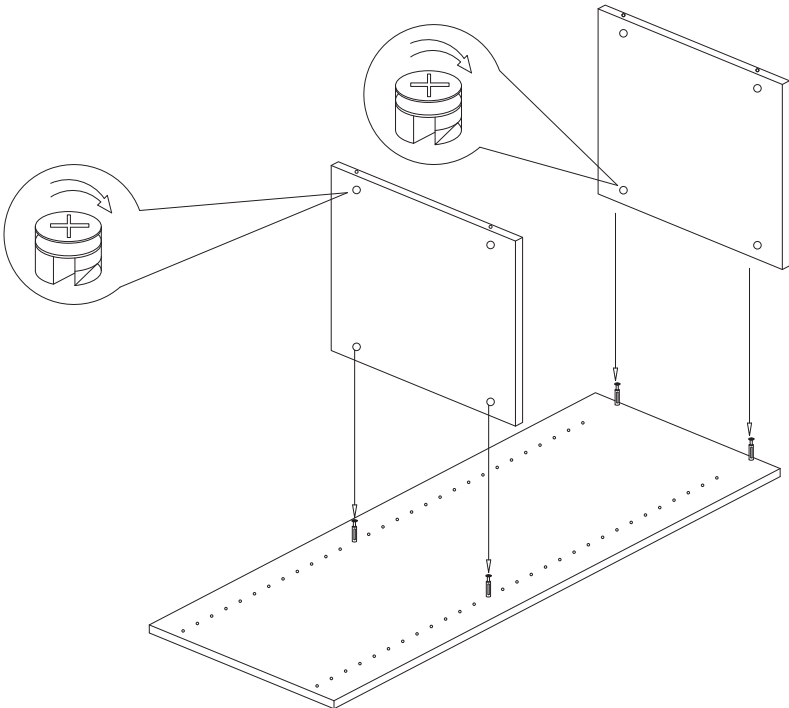
IMPORTANT:
Before fixing camlock pins
into the side panels, ensure to
decide where you require the
shelf locations.



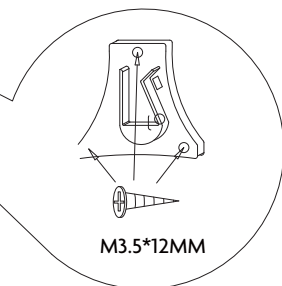
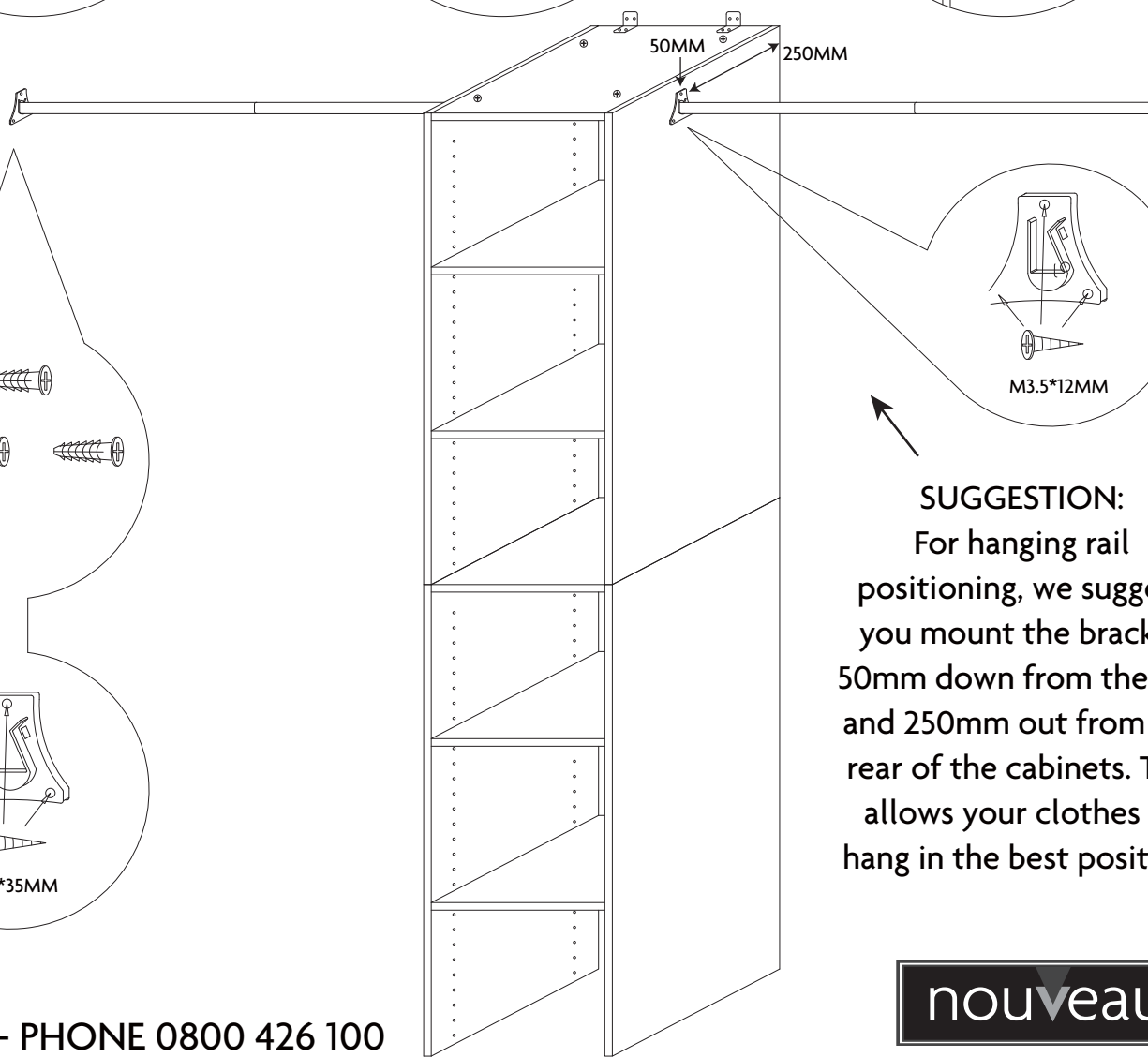
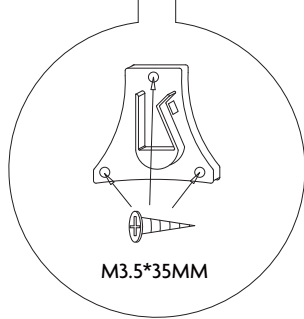
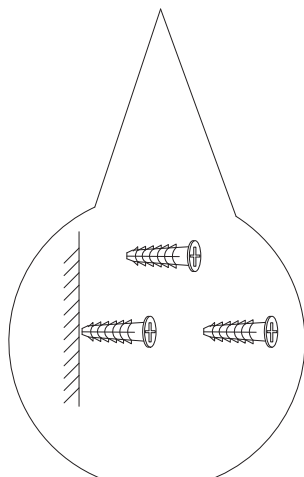
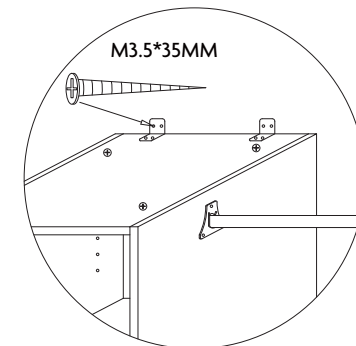
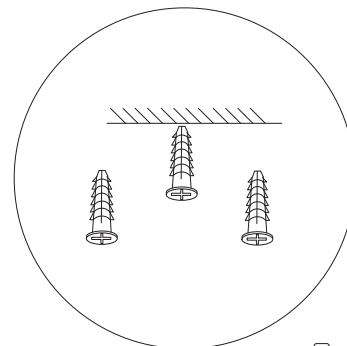
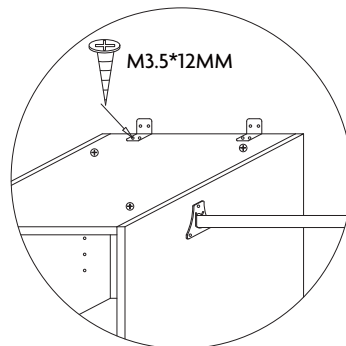
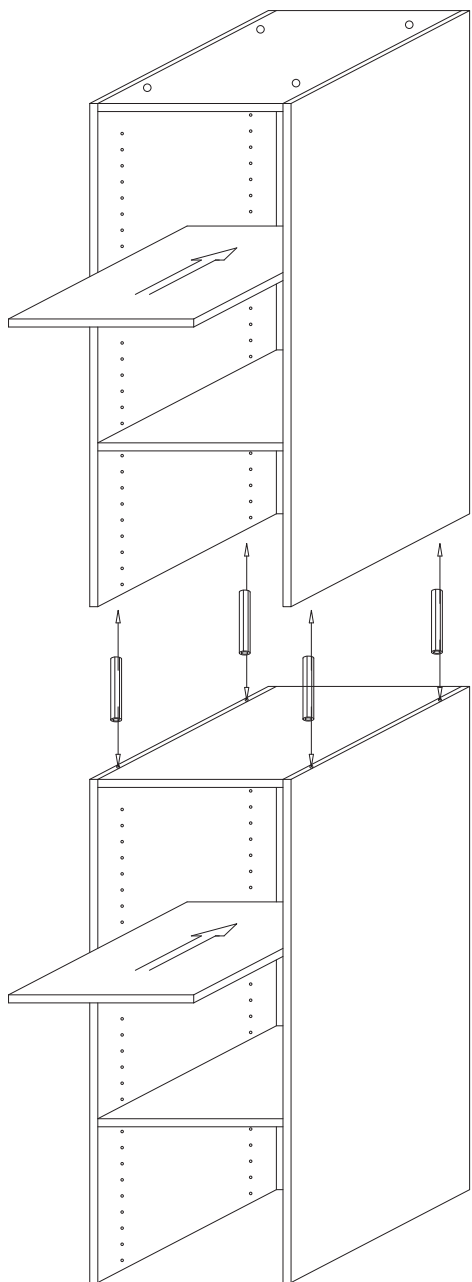
BOTTOM SECTION OF TOWER



IMPORTANT:
Before fixing camlock pins
into the side panels, ensure to
decide where you require the
shelf locations.



JOINING THE TOP AND BOTTOM SECTIONS OF TOWER



SUGGESTION:
For hanging rail positioning, we suggest you mount the bracket 50mm down from the top and 250mm out from the rear of the cabinets. This allows your clothes to hang in the best position.

FREE HELPLINE - PHONE 0800 426 100





Build your own unique system by adding the following Nouveau Storage components to your wardrobe organiser...

Purchase and add these Nouveau accessories to your existing collection at any time



FREE HELPLINE - PHONE 0800 426 100





Melamine Tower Kit
INSTALLATION INSTRUCTIONS
are also available on video

There's 3 easy ways to watch this installation instruction video

1

Scan this QR code on your smartphone and watch it online.



2

If you don't have a smartphone, type the following youtube address into the web browser on your computer.

<http://www.youtube.com/watch?v=3-qEOUPT0g>

3

*If you don't have a computer call our info line and we will send a complimentary DVD of this installation instruction video out to you. Call us on **0800 426100***

*For any questions regarding installation or any other requirements feel free to call us on **0800 426100***