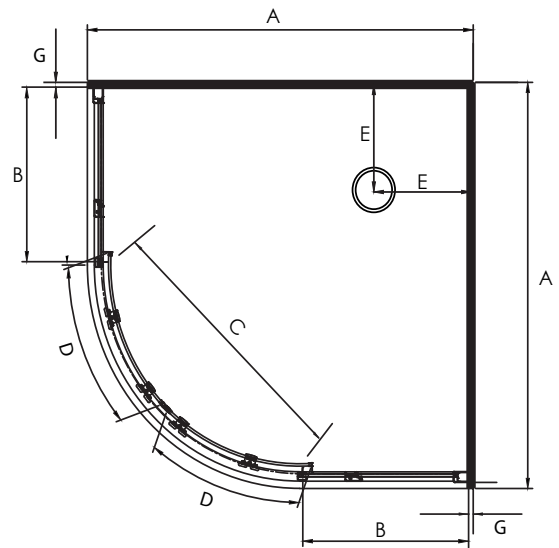


E-LINE ROUND EQUAL SIDED SHOWERS



Pictured Above - E-LINE 9x9 Round Corner
SKU 158996



DESCRIPTION

The E-LINE Equal Sided range of round Showers can be brought as a complete Shower cubicle including Acrylic Tray , Wall Liner and Door pack.

The door pack and tray can also be brought as an individual item for installation on a tiled floor and wall installation.

FEATURES

- Low profile 70mm tray with 40mm upstand
- Total OVERALL height 1900mm
- Quick Release Rollers for easy cleaning
- Magnetic strip on closing edges of doors
- 6mm AS/NZS2208 Safety Glass
- Silva Frame / Polished Anodised Aluminium

LEGEND

Dimension	Description	Shower Size	
		900mm	1000mm
A	Tray External Dimension	900mm	1000mm
B	Return Panel Dimension	335mm	430mm
C	Door Opening Dimension	540mm	540mm
D	Door Panel Dimension	410mm	410mm
E	Waste position (Corner waste)	250mm	250mm
G	Gib and Liner thickness +/- 1.5mm	13.0mm	13.0mm

ORDERING CODES

Description	Shower Size	
	900mm	1000mm
Complete Cubicle White Flat Wall	158996	158997
Tray Only Corner Waste White	TFR900CNR	TFR900CNR
Liner Only Flat Wall 1830mm High White	LUEL9X9FW2S18	LUEL1X1FW2S18
Round Door Pack Complete 1830mm High WHITE	DER900WH18	DER1000WH18

WARRANTY INFORMATION

All bathroom ware products supplied by Nouera Shower systems carry our Quality Assurance and Product Warranty. We use the highest quality materials available and manufacture these in accordance with New Zealand specifications and requirements to ensure that all products are fit for the intended purpose for which they are designed. Our customers Peace of Mind is of paramount importance to us.

Warranty Periods

Showers 5 years
Shower Screens and Doors 5 years

Warranty Exclusions

The product must be installed according to the instructions supplied.
The water supply temperature applied to the product must not exceed 55 degrees Celsius.
Commercial Applications are restricted to a 1 year warranty on all products.

CLEANING AND MAINTENANCE

Bathroom products are used often and the following is our suggestion on how to clean and care for them.

Shower Wall

We use Durosan premium quality sanitaryware grade Acrylic. It is, by design very robust and chemical resistant. A soft damp cloth with non abrasive cleaners should be used. Use only no abrasive cleaners that are recommended for Acrylic products.

Shower Tray and Bath

We manufacture our Shower Trays and Baths using a Solid Acrylic Surface. Most other shower trays are manufactured using a veneer Acrylic surface. The great advantage is that small scratches can be removed easily by using fine cutting compound. Again the same basic cleaning methods as the wall are recommended.

Shower Doors and Glass

All glass is compliant to AS/NZS 2208. We suggest that the glass surfaces are wiped down or Squeegeed following use to remove excess water. For best results use a trusted glass cleaner.

Metal framework

should be cleaned using a soft damp cloth with non abrasive cleaner. Note that on round Showers, the bottom rollers are easy release for ease of cleaning. If chemical spray cleaners are used, avoid direct contact with the rollers and guides and ensure the shower is rinsed off to avoid residue build up.

Weather seals and drip strips

Can be removed if required for cleaning, and can be replaced when they no longer look their best Refer to our spare parts and accessories section of this website for more details.

Note - If the Glass has been treated follow specific cleaning instructions from the system provider."